

# LIVING&CO

## CAST IRON CHIMINEA

Model No. LF128



**Retain these instructions for future use.**

---

**Important:** The installer or seller must leave these instructions with the consumer.

---

# LIVING&CO



## IMPORTANT SAFETY WARNINGS

Failure to read and follow this manual and the safety warnings herein may result in serious bodily injury or death, or in a fire or an explosion causing damage to property.

### Important

**Check with your local council regarding fire bans before using your firepit.**

**Check with your local council regarding air quality regulations.**

- ⚠ **IMPORTANT!** Only use this chiminea on a flat, level non-flammable surface or ground.
- ⚠ This product is for **OUTDOOR USE ONLY**. **NEVER** use in an enclosed space such as a carport, garage, veranda, covered patio, or under an overhead structure of any kind.
- ⚠ **ATTENTION!** This chiminea will become very hot. Do not attempt to move it during operation.
- ⚠ **WARNING!** Keep children and pets away from the chiminea when in use. Any modification of this chiminea may be dangerous.
- ⚠ When positioning, ensure the chiminea is a minimum of 1 metre from flammable items or structures. Do not use within 4m of gas cylinders, and keep away from vehicles.
- ⚠ Do not overfill hearth with burnable products. Never handle hot parts with unprotected hands.
- ⚠ **NEVER USE INDOORS**. If used indoors, toxic fumes can build up and cause bodily injury or death. Only use outdoors in a well-ventilated area.
- ⚠ **ATTENTION!** This chiminea should not be used under any overhead combustible material.
- ⚠ **NEVER** leave this chiminea unattended when in use.
- ⚠ Do not add starter fluid or charcoal impregnated with starter fluid to warm or hot fires.
- ⚠ Do not remove ashes until all wood is completely burnt out and the chiminea is fully cooled.
- ⚠ Do not use clothing with long or loose sleeves when operating the firepit.
- ⚠ Do not use the chiminea in high winds. Do not touch the chiminea with your hands to check if it is hot.
- ⚠ Do not use water to control flare-ups or extinguish charcoal. Always extinguish your chiminea when not being monitored.
- ⚠ Do not dump hot coals where they may cause a fire hazard. Do not store away or cover the chiminea until all embers are extinguished and removed, and the chiminea is fully cooled.
- ⚠ This chiminea is not intended to be used in recreational vehicles or boats.
- ⚠ **CAUTION!** Do not use petrol, spirit or lighter fluid for lighting or re-lighting the chiminea! Use only commercially made firelighters.
- ⚠ This chiminea is for use with dry, seasonal hardwood. It will burn hotter, more completely and create less smoke.
- ⚠ Do NOT burn manufactured logs, driftwood, trash, leaves, paper, cardboard, plywood, painted or stained or pressure treated wood. Avoid using softwoods such as pine or cedar that can throw sparks.
- ⚠ **CAUTION:** It is not recommended to use this chiminea on a wooden or other combustible surface or any surface that is not entirely resistant to high heat. However, if you intend to use this item on a wooden deck, other combustible surface, or any surface that is not entirely resistant to high heat, **you must** use a non-flammable and heat resistant material such as concrete pavers, brick, or stone between the fire pit (fire place) and the surface.
- ⚠ If you start or see a fire that is out of control, call 111 from a safe place.

# LIVING&CO

## PARTS LIST

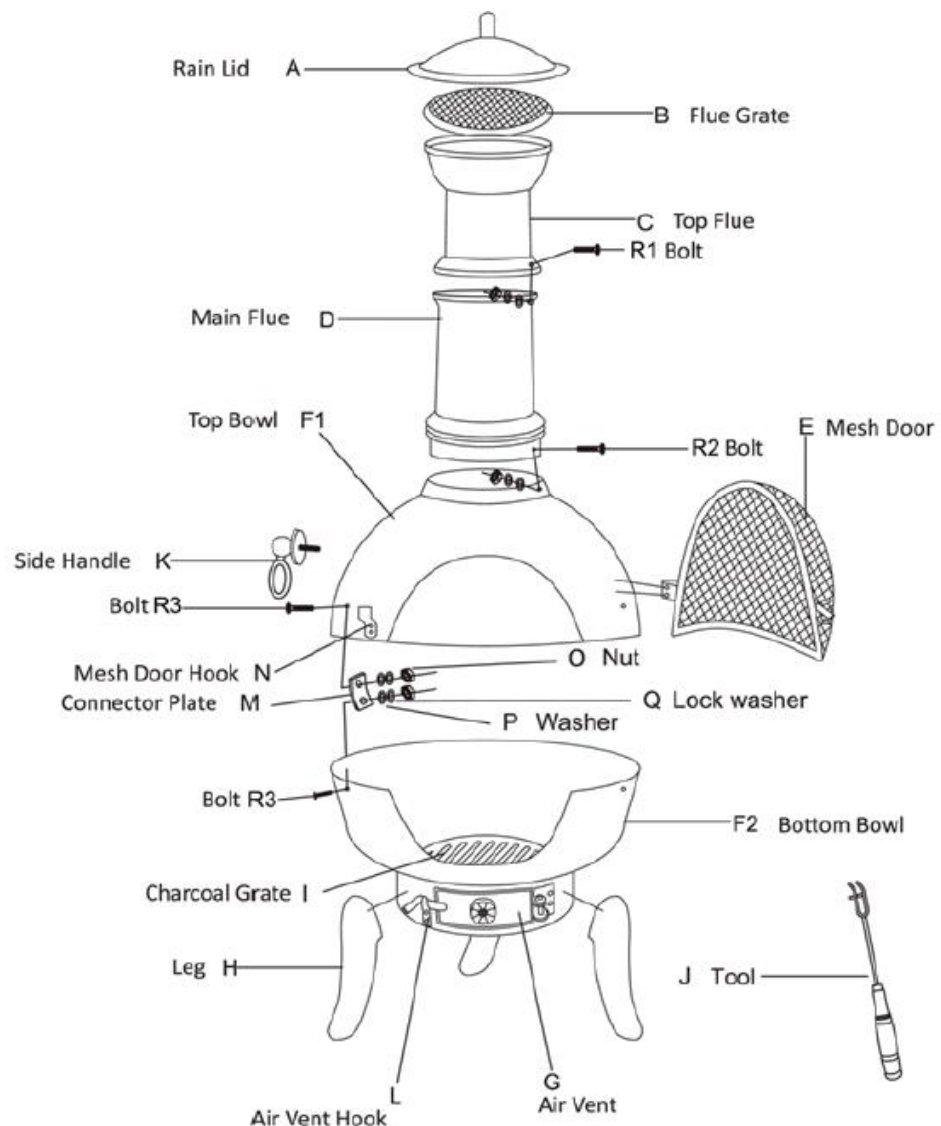
ITEM NO.	DESCRIPTION	QUANTITY	ITEM NO.	DESCRIPTION	QUANTITY
A	Rain lid	1	K	Side Handle	2
B	Flue Grate	1	L	Air Vent Hook	1
C	Top Fuel	1	M	Connector Plate	3
D	Main Flue	1	N	Mesh Door Hook	1
E	Mesh Door	1	O	Nut M6	12
F1	Top Bowl	1	P	Washer	12
F2	Bottom Bowl	1	Q	Lock Washer	12
G	Air Vent	1	R1	Bolt M6x15mm	3
H	Leg	3	R2	Bolt M6x30mm	3
I	Charcoal Grate	2	R3	Bolt M6x20mm	6
J	Tool	1			

### Tools Required for Assembly

(Not Included)

Phillips Head Screwdriver

Adjustable spanner



# LIVING&CO

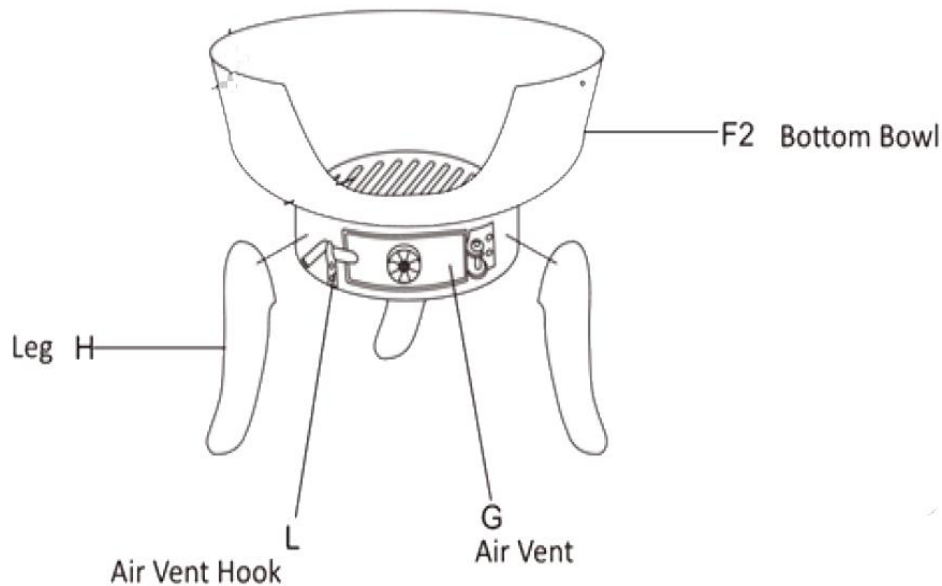
## ASSEMBLY

**CAUTION!** Whilst every effort has been made in the manufacture of your Chimnea to remove any sharp edges, you should handle all components with care to avoid accidental injury.

**Tools required:** Either a crosshead (Phillips) or flat-bladed screwdriver and either an adjustable spanner or a pair of pliers.

### STEP 1 - ATTACHING THE LEGS

Attach legs (H) to stove bottom (F2). Attach the air vent (G) and Air Vent Hook (L) to Bottom Bowl (F2).

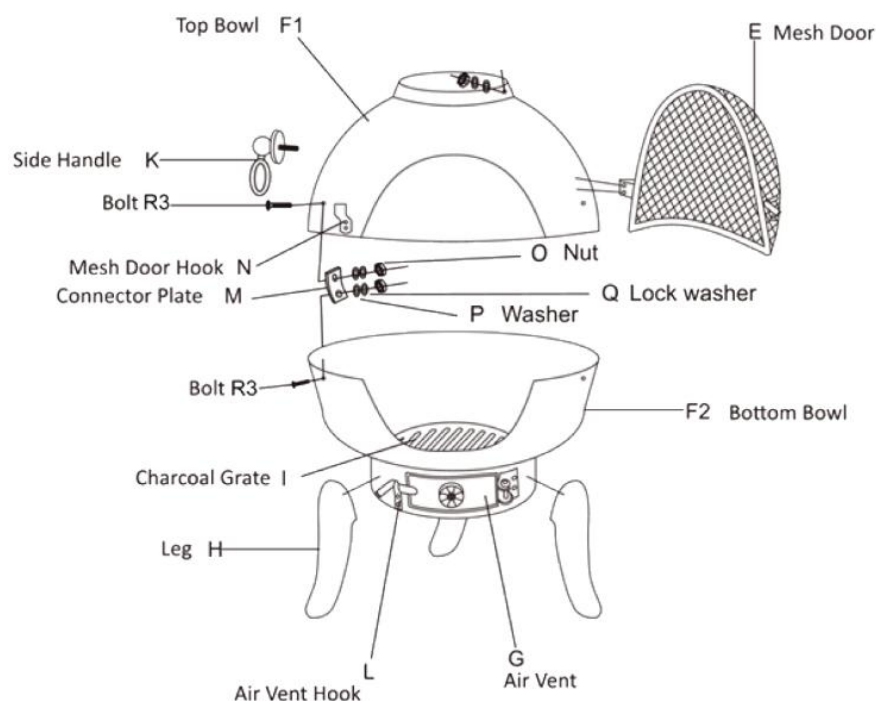


### STEP 2 – FIRE BOWL ASSEMBLY

Attach Top Bowl (F1) to Bottom Bowl (F2) using Connector plate (M), Bolt (R3), Washer (P), Lock Washer (Q) and Nut (O).

Assemble Side Handle (K) to Top Bowl (F1) using Bolt (R3), Washer (P), Lock Washer (Q) and Nut (O). Repeat with other Side Handle.

Assemble Mesh Door (E) and Mesh Door Hook (N) to Top Bowl (F2).



# LIVING&CO

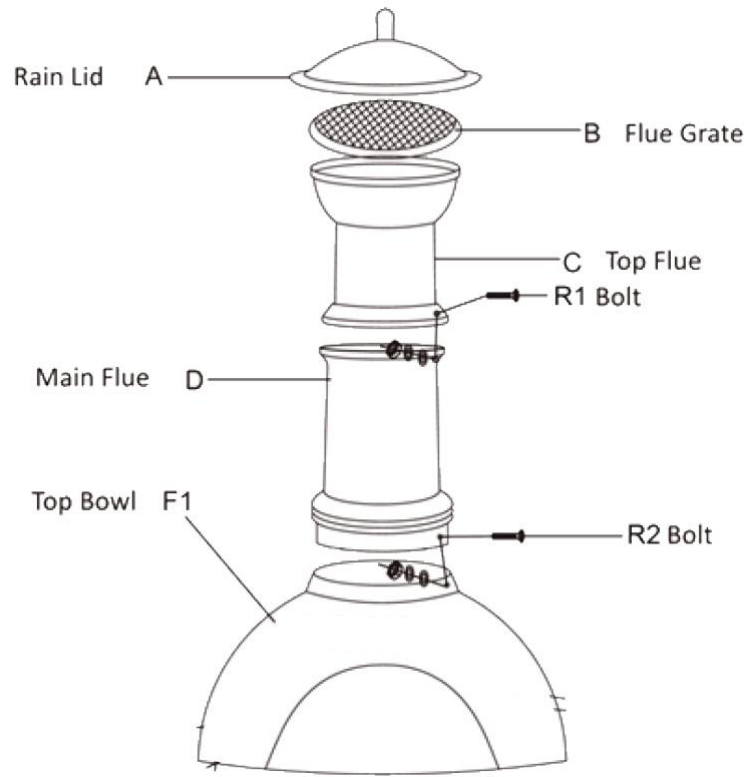
## STEP 3 - FLUE ASSEMBLY

Install Main Flue (D) to Top Bowl (F1) using Bolt (R2), Washer (P), Lock Washer (Q) and Nut (O).

Install Top Flue (C) to Main Flue (D), using Bolt (R1), Washer (P), Lock Washer (Q) and Nut (D)

Tighten all the bolts & nuts firmly.

Place Flue Grate (B) and Rain Lid (A) on the Top Flue (C).



## INSTRUCTIONS FOR USE

1. Make sure the assembly instructions have been followed correctly.
2. Set the chiminea up in a suitable level position, on a level surface away from areas likely to catch fire. The base of the appliance will get hot so ensure it stands on a suitable surface.
3. Use wood (Charcoal) and a suitable lighting method:

### Method 1 - Charcoal & Lighting Fluid/Gel

- a) Set up your chiminea in a safe place. Place enough charcoal in the bowl to a depth of 3-5 cm.
- b) Taking care not to spill any liquid/gel onto your hands or clothes. Apply carefully the lighting fluid/gel over the charcoal.
- c) If using lighting fluid, wait for 30 seconds to allow the liquid to soak into the charcoal before the next step.
- d) *Do not light the charcoal if you have spilled fluid onto your clothes!* Light the charcoal using a long taper or safety lighter. The charcoal will then burn for a period with flames.
- e) Do not squirt liquid onto burning charcoal.

### Method 2 - Lighting Blocks

- a) Place three or four Lighting Blocks in the centre of the chiminea firebowl and light with a match.
  - b) Place pieces of wood (Charcoal) around each burning block. Add more wood (Charcoal) as required, in a pyramid formation.
  - c) When burning is established, spread the fuel out evenly.
4. ALWAYS WEAR PROTECTIVE GLOVES WHEN HANDLING THE CHIMINEA AND FUELING IT.
  5. Ensure there is at least 1 metre clearance around all sides of the Chiminea, and keep away from fences, over-hanging branches and other combustible materials.

# LIVING&CO

## CLEANING AND CARE

**WARNING! Risk of burns! Allow the chiminea to cool down completely before cleaning it. Never use water to extinguish the hot chiminea. This may cause burns or scalding. If you must quickly extinguish the fire, use a soft spray of water.**

The great thing about cast iron chimineas is that you will not have much maintenance. Occasional cleaning is necessary to preserve its clean appearance. Do not use any scouring agents.

**CAUTION:** All cleaning and maintenance should be done when Chiminea is cool and with the fuel supply removed. Check the Chiminea regularly to ensure it is safe to use. If there is any sign of damage DO NOT use until repairs are made.

Abrasive cleaners will damage this product. Never use oven cleaner to clean any part of Chiminea.

1. Wipe surfaces clean with mild dishwashing detergent or baking soda.
2. For stubborn surfaces use a citrus based degreaser and a nylon scrubbing brush.
3. Rinse clean with water.

When not in use store in a dry location, and if possible cover the Chiminea to protect it from the elements.

**NOTE:** It is quite normal for the Chiminea to develop an aged look after several fires. Over time it may develop surface rust, which is normal and due to natural weathering, particularly if it is left outdoors uncovered.